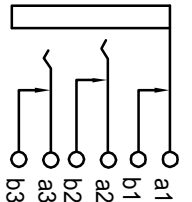
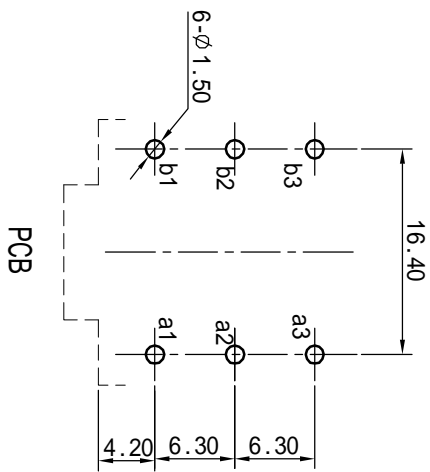
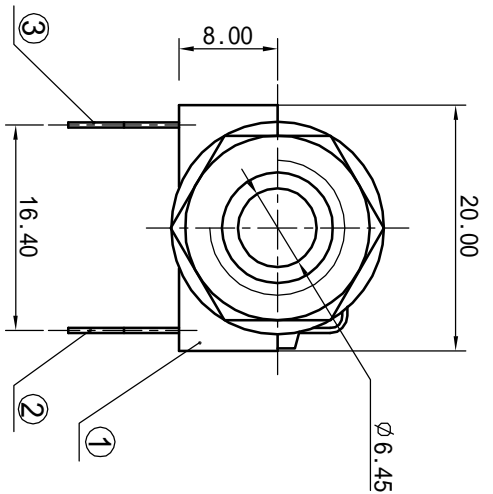
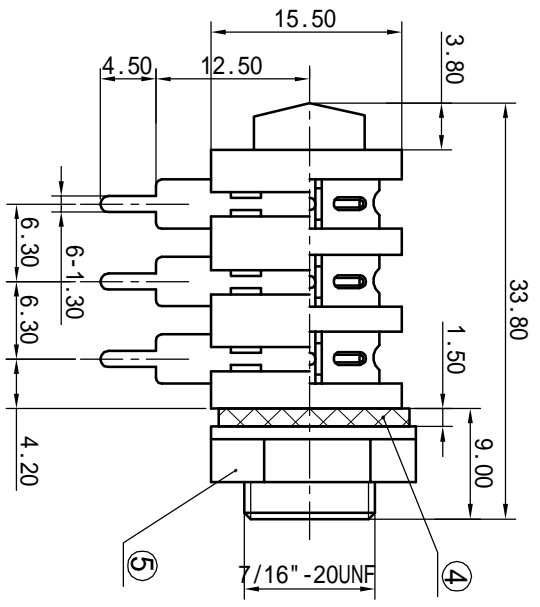


ALLOWANCE	
UNDER 3	± 0.1
3 TO 6	± 0.15
6 TO 15	± 0.2
15 TO 50	± 0.25
50 OVER	± 0.3



Specifications:
 Rating :DC 50V,1A.
 Force:5-40N.
 Contact resistance:
 Less than30mΩ.
 Insulation resistance:
 Over 100MΩ on DC 500V measured.
 Voltage withstand :
 AC 500V,For 1 minute.

5	WASHER	ABS 94HB	1	BLACK
4	NUT	PA66	1	BLACK
3	TERMINAT-B	BRASS t-0.4	3	AG PLATED
2	TERMINAT-A	BRONZE t-0.4	3	AG PLATED
1	HOUSE	PA66	1	BLACK
NO:	PART NAME	MATERIAL	QTY	FINISHING

MODEL NO :	SJ-6306-6P	ALLOWANCE :		DRAWN BY :	
TYPE :	6.35 PHONE SOCKET	UNIT :	mm	CHECKED BY :	
MATERIAL NO :		SCALE :		APPROVED BY :	
PROJECTION					
		ZWEE CO., LIMITED			